

The 2007
BMW M5 Sedan
BMW M6 Coupe
BMW M6 Convertible



The Ultimate
Driving Machine®





BMW M engineers: masters of increasing muscle – without steroids.





A 500-horsepower
understatement.

Two front-row seats for
performance art.





M FK 4216



Drivers cannot live
on speed alone.





The luxurious interior of the M6 Convertible caters to the dual nature of every serious driver – the need to be in control, and the desire to be pampered.

For the driver and the front-seat passenger, the M6 Convertible's 16-way power sport seats are bolstered to hold you tight through any curve-hugging driving maneuvers. Upholstered in true M fashion with stylish Merino Leather and race-inspired trim, the M sport seats also offer the comfort of three-stage heating and 4-way lumbar support.

The M Sport multi-function steering wheel, leather-wrapped and supple to the touch, is also outfitted with BMW's SMG paddle shifters for Formula 1-inspired shifting. The optional Head-up Display projects vital driving information as an unobtrusive, yet easy-to-read image above the driver's-side dash. And the on-board navigation system gives you extensive traffic information, detailed maps and driving directions.

M Drive, a part of BMW's innovative iDrive navigation and control system, lets you set and then save your ideal driving preferences, all at the touch of a button. Parameters for SMG programs, Electronic

Dampening Control (EDC) settings, Dynamic Stability Control (DSC) mode, engine response and more can be "memorized," and then instantly recalled at any time.

Trim options include choice wood grains and dashing modern elements like carbon fiber. M Car badging on the doorsills brings powerful elegance to the cockpit. The Logic7 audio system delivers premium, crystal-clear, 13-speaker sound with CD, AM/FM, MP3 and optional SIRIUS satellite radio capabilities. In every sense, the M6 Convertible surrounds its occupants in functional, flawless luxury.



M-style performance – optimized in every detail.

1 M side gills.

2 Front airdam with three air intake scoops.

3 M side-view mirror enhances aerodynamics.

4 Two dual chrome-plated stainless-steel tailpipes, diffuser and M rear spoiler.

5 19" M Radial Spoke (Styling 166M) light cast-alloy wheels.¹

¹ Due to low-profile tires, please note: wheels, tires and suspension parts are more susceptible to road hazard and consequential damages. Performance tires not recommended for driving in ice and snow.



1
2

3

4

5



1 Door sill trim with illuminated M5 logo.

2 Information Display with white illuminated surrounds on the speedometer and tachometer, and instrument needles illuminated in red.

3 M-style Head-Up Display.

4 Illuminated SMG selector lever.

1
2



3



4





- 1 Door sill trim with illuminated M6 logo.
- 2 Instrument panel dashboard in optional Full Merino Leather.
- 3 Illuminated SMG selector lever.

- 4 Information Display with white illuminated surrounds on the speedometer and tachometer and red instrument needles.
- 5 Optional M-style Head-Up Display.

1
2



3



4



5





- 1** Aerodynamic low-profile M6 Convertible softtop available in black or gray.
- 2** Characteristic M Car dual chrome-plated stainless steel tailpipes.
- 3** White turn signal indicators incorporated into the M side gills.
- 4** M auto-dimming side-view exterior mirrors with power fold-up feature.

- 5** Lightweight M6 carbon-fiber roof is four times lighter than steel.¹
 - 6** 19" M Radial Spoke (Style 167M) light cast-alloy wheels.²
- ¹ Available in M6 Coupe only.
² Due to low-profile tires, please note: wheels, tires and suspension parts are more susceptible to road hazard and consequential damages. Performance tires not recommended for driving in ice and snow.



Combinations

	Merino Leather (Extended) ¹			Perforated Merino Leather (Full) ^{2,3}			Merino Leather (Full) ^{3,4}				
Upholstery colors	Silverstone II	Sepang	Black	Silverstone II	Sepang	Black	Silverstone II	Sepang	Portland Brown	Indianapolis Red	Black
Exterior paint colors⁵											
300 Alpine White Non-metallic	●	●	●	●		●	●			●	●
A29 Silverstone Silver Metallic	●		●	●		●	●			●	●
A08 Silver Gray Metallic	●		●	●		●	●			●	●
440 Stratus Gray ⁶	●		●				●			●	●
A32 Sepang Bronze Metallic		●	●		●	●		●	●		●
A31 Indianapolis Red Metallic			●			●				●	●
A30 Interlagos Blue Metallic	●		●	●		●	●				●
A35 Monaco Blue ⁶ Metallic	●		●				●				●
475 Black Sapphire Metallic	●	●	●	●	●	●	●	●	●	●	●
Interior trim											
Brushed Aluminum Shadow⁷											
Carbon Fiber Black⁸											
Walnut Madeira Wood⁹											
Olive Ash Wood¹⁰											

Please note: The optional M5 Multi-function front seats are upholstered in the same color leather, front and back. The backs of all other seats are upholstered in Black leather.

¹ Merino Leather (Extended): Standard in the M5 and M6; includes Anthracite Cloth headliner and side pillars.

² Perforated Merino Leather (Full): Optional in the M5; requires optional Ventilated Seats feature and optional Multi-function front seats with Active width-adjustment feature. Not available in the M6.

³ Optional Full Leather includes leather-covered instrument panel, center console and door panels, and Anthracite Alcantara roofliner. Anthracite Alcantara roofliner not available in the M6 Convertible.

⁴ Merino Leather (Full): Optional in the M5 and M6.

⁵ All exterior paint colors are standard on the M5 and M6.

⁶ Stratus Gray and Monaco Blue: Standard on the M6; not available on the M5.

⁷ Brushed Aluminum Shadow trim: Standard in the M5; not available in the M6.

⁸ Carbon Fiber Black trim: Optional in the M6; not available in the M5.

⁹ Walnut Madeira Wood trim: Standard in the M6; no-cost option in the M5.

¹⁰ Olive Ash Wood trim: No-cost option in the M5 and M6.

M6 Convertible softtop colors

Black (standard)

Gray (optional)

Please note: Either softtop can be selected with any color combination.

Performance and efficiency	M5 Sedan	M6 Coupe	M6 Convertible	Interior seating and trim ³	M5 Sedan	M6 Coupe	M6 Convertible
5.0-liter, 40-valve V-10 engine with M high-pressure Double-VANOS “steplessly” variable valve timing	●	●	●	Power BMW M sport seats (front seats) with adjustable seatback side bolsters (includes 4-way lumbar support and 2-way thigh support), and 2-way adjustable headrests	●	●	●
10 individual throttle butterflies, electronically controlled	●	●	●	3-setting memory system for driver’s seat and safety belt height, steering wheel and outside mirrors	●	●	●
G-sensitive semi-dry-sump lubrication system	●	●	●	Multi-function front seats with active width adjustment (upholstered in the same color leather, front and back) ⁴	○		
Oil coolant heat exchanger	●	●	●	Merino Leather upholstery (Extended)	●	●	●
Digital Motor Electronics (DME) with on-board diagnostics	●	●	●	Merino Leather upholstery (Full)	○	○	○
Ion flow knock control	●	●	●	Perforated Merino Leather upholstery (Full) requires optional Ventilated Seats feature (and optional Multi-function front seats) ⁴	○		
3-way catalytic converter with heated oxygen sensor	●	●	●	Front and rear center armrests	●		
7-speed Sequential Manual Gearbox (SMG) with DRIVELOGIC	●	●	●	Adjustable front center armrest		●	●
6-speed manual transmission ¹	○			M-badged doorsills	●	●	●
Handling, ride and braking				Instrumentation and controls			
Dynamic Stability Control (DSC) with M Dynamic Mode (MDM)	● ²	●	●	M multi-function leather-wrapped sport steering wheel with SMG paddles, M Drive function and cruise control	●	●	●
All Season Traction with M Variable Differential Lock	●	●	●	M-design instrument cluster with white-illuminated gauges, oil temperature gauge, and variable warning segment on tachometer	●	●	●
Vehicle-speed-sensitive variable-assist power steering (M Servotronic) with M Driving Dynamics Control (2 settings – throttle and steering)	●	●	●	Service Interval Indicator	●	●	●
Aluminum double-pivot strut-type front suspension and 4-link integral rear suspension	●	●	●	Check Control vehicle monitoring system	●	●	●
Independent suspension with M calibration (stiffened dampers, springs and anti-roll bars; modified rear axle geometry)	●	●	●	External temperature display	●	●	●
Electronic Dampening Control with Comfort, Normal and Sport programs	●	●	●	On-board computer	●	●	●
Lightweight, double-joint spring strut front axle with aluminum crossbar	●	●	●	On-board navigation system (includes 8.8" screen with 16 x 9 format and Real Time Traffic Information ⁵)	●	●	●
Lightweight integral rear axle	●	●	●	Head-up Display with additional M-specific display functions, including speed, dynamic engine speed range, shift lights, etc. ⁶	○	○	○
4-wheel BMW M vacuum-assisted ventilated, cross-drilled anti-lock compound disc brakes (ABS)	●	●	●	Voice Command System	●	●	●
				Vehicle & Key Memory	●	●	●

- Standard
- Optional

¹ Steering wheel paddles and Drivelogic center console DSC button are not available with optional manual transmission.

² M5 with optional transmission does not allow complete disengagement of DSC.

³ See Combinations Chart on preceding page for requirements on ordering upholstery, seats and trim.

⁴ To view optional seats with Perforated Leather and without, please go to bmwusa.com.

⁵ Real Time Traffic Information not available if HD Radio Audio option is also ordered.

⁶ Not available with green band windshield; M5 with manual transmission will not show gear information or shift lights.

Standard Equipment | Optional Equipment

	M5 Sedan	M6 Coupe	M6 Convertible		M5 Sedan	M6 Coupe	M6 Convertible
Exterior				Comfort and convenience			
M Radial Spoke (Style 166M) light cast-alloy wheels, 19 x 8.5 front/19 x 9.5 rear, with 255/40ZR-19 front/285/35ZR-19 rear performance tires ⁴	●			Automatic climate control with separate left/right temperature and air distribution controls, with automatic air recirculation	●	●	●
M Radial Spoke (Style 167M) light cast-alloy wheels, 19 x 8.5 front/19 x 9.5 rear, with 255/40ZR-19 front/285/35ZR-19 rear performance tires ⁴		●	●	3-stage heated front seats	●	●	●
Tire Pressure Monitor system	●	●	●	3-stage heated rear seats	○		
BMW M front spoiler, rear apron/air diffuser	●	●	●	Large 2-way power glass moonroof with remote, expanded "one-touch" operation, anti-trapping feature, and sliding interior sunshade	●		
M rear spoiler	●			Reinforced carbon-fiber roof		●	
Wraparound body-colored bumpers with hydraulic energy absorbers and front-compressible elements	●	●	●	Fully lined power softtop roof with heated glass rear window that can be raised and lowered independently of the softtop			●
Xenon Adaptive Headlights with dynamic auto-leveling feature and individual illuminating rings on all 4 headlights	●	●	●	Power tilt and telescopic steering wheel with automatic tilt-up	●	●	●
Headlight washing system	●	●	●	Power windows with key-off and "one touch" up and down operation both front and rear, anti-trapping feature, opening from remote, and closing from exterior lock	●	●	●
Side-view mirrors with electrochromic auto-dimming, power fold-up feature and automatic tilt-down of passenger's side-view mirror when vehicle is shifted into reverse gear	●	●	●	Power rear-window sunshade and manual rear side-window sunshades with 2 shade sections per door	○		
Heated side-view mirrors, windshield washer jets and door locks	●	●	●	Remote control key	●	●	●
Rain-sensing windshield wipers with Automatic headlight control	●	●	●	Comfort Access keyless entry with multi-function remote control	○	○	○
Clear turn-signal lenses – front and side	●	●	●	BMW Ambiance Lighting	●	●	●
Rear taillight lenses with brilliant optics	●	●	●	Interior courtesy lights with automatic dimming function	●	●	●
Park Distance Control with front and rear sensors	●	●	●	Front map lights and rear reading lights with separate left/right controls	●	●	●
Twin-chamber exhaust system with twin dual chrome-plated tailpipes	●	●	●	Dual front sun visors with illuminated mirrors	●	●	●
Choice of standard or metallic paint	●	●	●	Ground-illuminating lights in door handles	●	●	●
Audio system				Integrated 3-button Universal garage-door opener	●	●	●
Logic7 Surround Sound anti-theft AM/FM stereo CD audio system with MP3 capabilities, 13 upgraded speakers (including two sub-woofers), Digital Sound Processing (DSP), Radio Data System (RDS), Auto-Store and 3-channel FM diversity antenna	●	●	●	Heated driver's door lock and rear window defroster	●	●	●
HD Radio Audio ⁵	○	○	○	Split fold-down through-load rear seats and ski bag	○		
SIRIUS Satellite Radio ⁶	○	○	○	Ski bag		●	●
				Fully finished trunk with tool kit and interior trunk release	●	●	●
				Power outlet in trunk, front passenger's footwell and back of center console	●		
				Glove compartment with rechargeable take-out flashlight	●	●	●

- Standard
- Optional

⁴Due to low-profile tires, please note: wheels, tires and suspension parts are more susceptible to road hazard and consequential damages. Performance tires not recommended for driving in ice and snow.

⁵Real Time Traffic Information not available if HD Radio Audio option is also ordered.

⁶Please visit your authorized BMW center for details on equipment.

Safety and security	M5 Sedan	M6 Coupe	M6 Convertible	BMW Services	M5 Sedan	M6 Coupe	M6 Convertible
Driver's and passenger's front airbag supplemental restraint system (SRS) with "smart" dual-stage and dual-threshold deployment, and sensor to help prevent unnecessary passenger's airbag deployment	●	●	●	BMW Ultimate Service™ ⁸	●	●	●
Front- and rear-seat Head Protection System (AHPS II)	●	●		M Driving Experience at the BMW Performance Center in Greenville, SC ⁹	●	●	●
Front-door-mounted side-impact airbags	●	●	●				
Automatic front safety belt pretensioners and force limiters	●	●	●				
Manual height adjustment for front safety belts	●	●	●				
Rear-seat side-impact airbags and automatic pretensioners on rear outboard safety belts	○						
Automatic-locking retractors (ALR) on all safety belts (for installation of child-restraint seats)	●	●	●				
Interlocking door anchoring system to help protect against door intrusion in side impacts	●	●	●				
Intelligent Safety and Information System (ISIS) for safety systems deployment	●	●	●				
Rollover Protection System			●				
Impact sensor that activates Battery Safety Terminal disconnect of alternator, fuel pump and starter from battery; turns on hazard lights, interior lights and unlocks doors	●	●	●				
Coded Driveaway Protection (prevents engine start when your key, which has a constantly changing electronic code, is not used)	●	●	●				
Remote keyless entry security alarm system with selective unlocking and double-lock features (programmed at BMW center), remote trunk opening, interior motion detector, and panic feature	●	●	●				
Adaptive Brake Lights	●	●	●				
BMW Assist™ ⁷ with Bluetooth® wireless technology for hands-free calling (with Bluetooth-enabled mobile phone), phonebook downloading and speech recognition capabilities	●	●	●				

All illustrations and specifications contained in this brochure are based on the latest product information available at the time of printing. BMW reserves the right to make changes at any time, without notice, in colors, materials, equipment, specifications and models. BMW may, subject to legal requirements, determine the Model Year designation of its vehicles. The Model Year designation on any particular model may be longer or shorter than 12 months. Some vehicles pictured may contain non-U.S. equipment. Some models may be shown with optional equipment. While BMW NA makes all reasonable efforts to provide accurate information in this brochure, there is no guarantee or warranty of accuracy. Furthermore, we do not assume any liability for the accuracy or completeness of information presented. This brochure shall not be used or relied upon as a substitute for information that is available from your BMW center. Further information can be obtained from your authorized BMW center or bmwusa.com.

- Standard
- Optional

⁷ See page 90 for details on standard and optional services.

⁸ For full details on BMW Ultimate Service, including exclusions and limitations, see page 90.

⁹ For further information go to bmwusa.com.

Weight			M5 Sedan	Performance			M5 Sedan
Unladen	lb		4012	Drag coefficient	C _d		0.31
Weight distribution, front/rear	%		52.2/47.8	Top speed ¹	mph		155
				Acceleration 0-60 mph ²	sec		4.5
Engine				Fuel consumption³			
Liters/cylinders/valves per cylinder			5.0/V-10/4	7-speed SMG transmission			
Displacement	cu cm		4999	City	mpg		12
Bore/Stroke	in		3.62/2.96	Highway	mpg		18
Nominal output/rpm	hp		500/7750	6-speed manual transmission			
Max torque/rpm	lb-ft		383/6100	City	mpg		12
Compression ratio	:1		12.0	Highway	mpg		18
Transmission				Tires and Wheels			
SMG gear ratios				Tire dimensions (performance tires) ⁴			
I/II/III	:1		3.99/2.65/1.81	front			255/40ZR-19
V/V/VI	:1		1.39/1.16/1.00	rear			285/35ZR-19
VII/R	:1		0.83/3.99	Wheel dimensions, front/rear			19 x 8.5 / 19 x 9.5
Final drive ratio	:1		3.62	Material			Light cast-alloy

Weight			M6 Coupe	Performance			M6 Coupe
Unladen	lb		3909	Drag coefficient	C _d		0.32
Weight distribution, front/rear	%		53.5/46.5	Top speed ¹	mph		155
				Acceleration 0-60 mph ²	sec		4.5
Engine				Fuel consumption³			
Liters/cylinders/valves per cylinder			5.0/V-10/4	7-speed SMG transmission			
Displacement	cu cm		4999	City	mpg		12
Bore/Stroke	in		3.62/2.96	Highway	mpg		18
Nominal output/rpm	hp		500/7750	Tires and Wheels			
Max torque/rpm	lb-ft		383/6100	Tire dimensions (performance tires) ⁴			
Compression ratio	:1		12.0	front			255/40ZR-19
Transmission				rear			285/35ZR-19
SMG gear ratios				Wheel dimensions, front/rear			19 x 8.5 / 19 x 9.5
I/II/III	:1		3.99/2.65/1.81	Material			Light cast-alloy
V/V/VI	:1		1.39/1.16/1.00				
VII/R	:1		0.83/3.99				
Final drive ratio	:1		3.62				

Please note: Technical specifications are subject to change without notice.

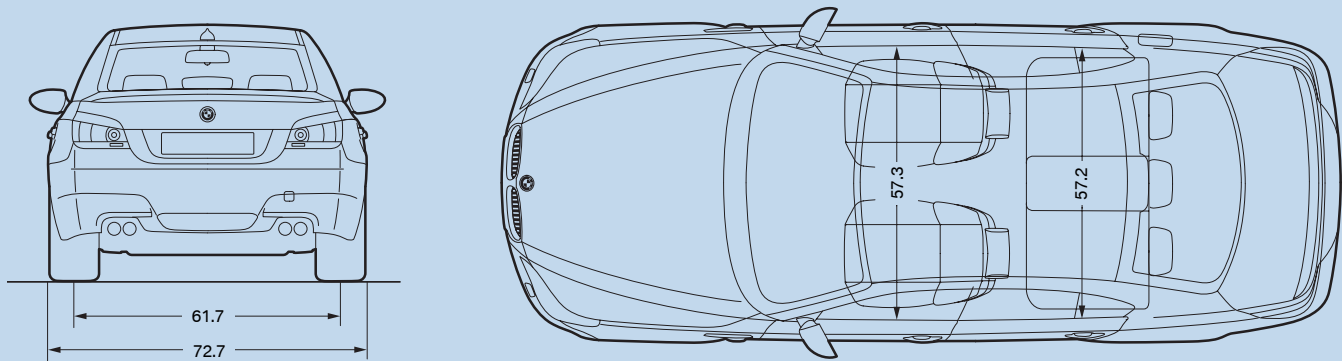
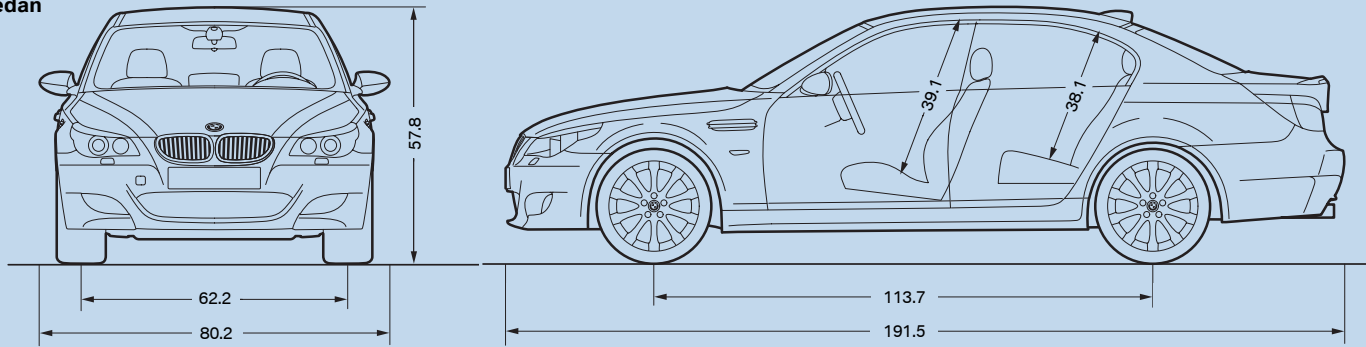
¹Top speed limited electronically.

²BMW AG test results.

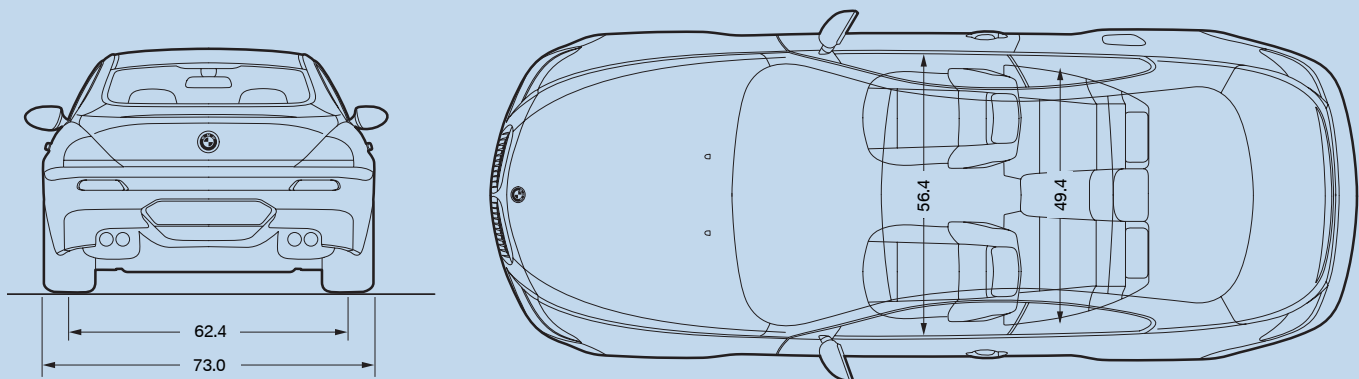
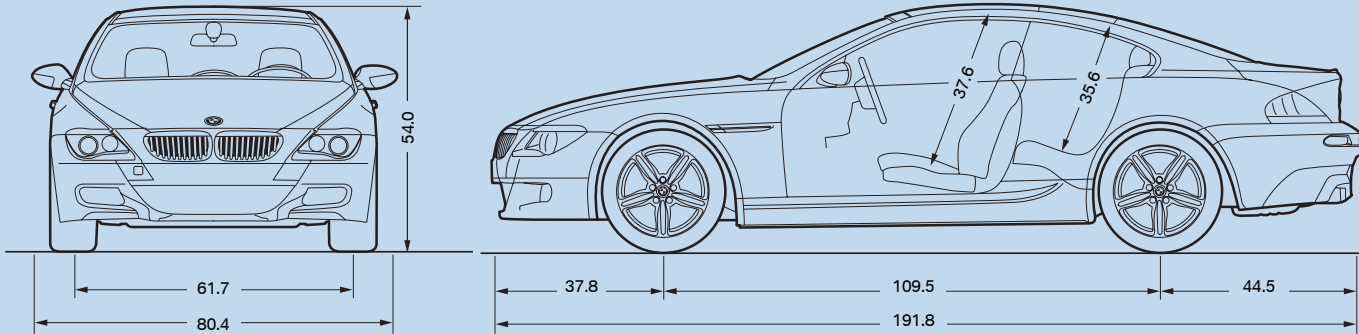
³EPA-estimated figures are for comparison purposes only. Your actual mileage will vary, depending on speed, driving habits, trip length and driving conditions; actual mileage may be lower.

⁴Due to low-profile tires, please note: wheels, tires and suspension parts are more susceptible to road hazard and consequential damages. Performance tires not recommended for driving in ice and snow.

M5 Sedan



M6 Coupe



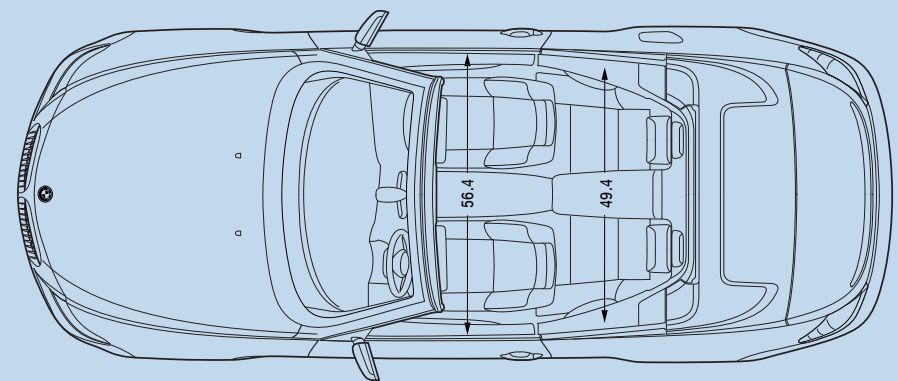
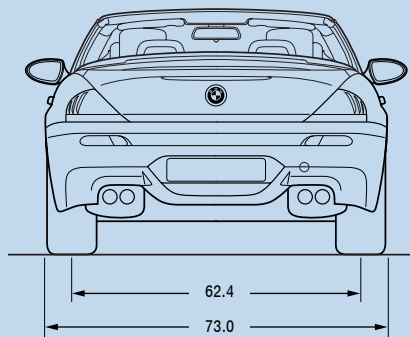
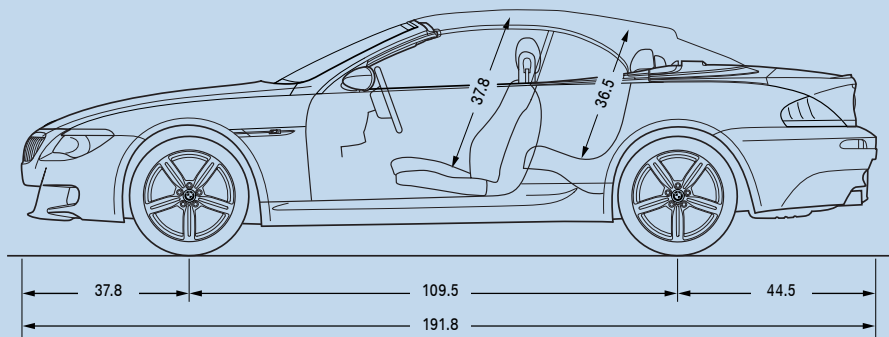
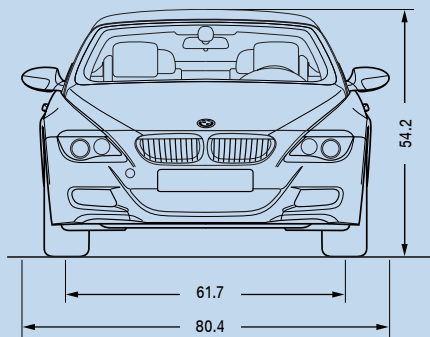
		M6 Convertible		M6 Convertible	
Weight				Transmission	
Unladen	lb	4398		SMG gear ratios	
Weight distribution, front/rear	%	49.9/50.1		I/II/III	:1 3.99/2.65/1.81
Engine				V/V/VI	:1 1.39/1.16/1.00
Liters/cylinders/valves per cylinder		5.0/V-10/4		VII/R	:1 0.83/3.99
Displacement	cu cm	4999		Final drive ratio	:1 3.62
Bore/Stroke	in	3.62/2.96		Performance	
Nominal output/rpm	hp	500/7750		Drag coefficient	C _d 0.34
Max torque/rpm	lb-ft	383/6100		Top speed ¹	mph 155
Compression ratio	:1	12.0		Acceleration 0-60 mph ²	sec 4.6

Please note: Technical specifications are subject to change without notice. At time of printing, if fuel consumption numbers are not available, please visit bmwusa.com for further details.

¹Top speed limited electronically.

²BMW AG test results.

M6 Convertible



All dimensions of technical drawings in inches.

U.S. Importer: BMW of North America, LLC, Woodcliff Lake, NJ 07677. All illustrations and specifications contained in this brochure are based on the latest product information available at the time of printing. BMW reserves the right to make changes at any time, without notice, in colors, materials, equipment, specifications and models. BMW may, subject to legal requirements, determine the Model Year designation of its vehicles. The Model Year designation on any particular model may be longer or shorter than 12 months. Some vehicles pictured may contain non-U.S. equipment. Some models may be shown with optional equipment. While BMW NA makes diligent efforts to provide accurate information in this brochure, there is no guarantee or warranty of accuracy. Furthermore, we do not assume any liability for the accuracy or completeness of information presented. This brochure shall not be used or relied upon as a substitute for information that is available from your BMW center. Further information can be obtained from your authorized BMW center or bmwusa.com.

©2006 BMW of North America, LLC. Not to be reproduced wholly or in part without written permission of BMW NA. The BMW name and logo are registered trademarks.